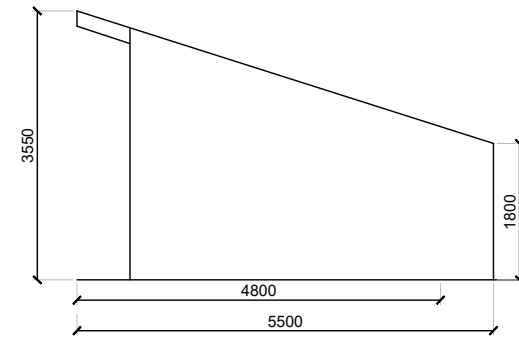
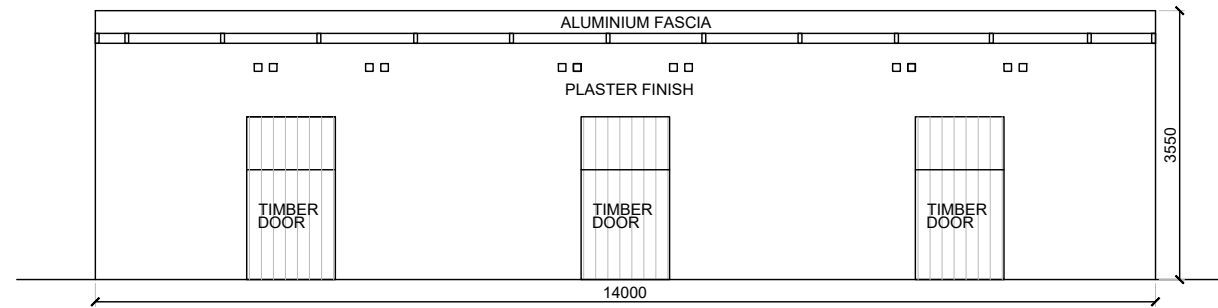


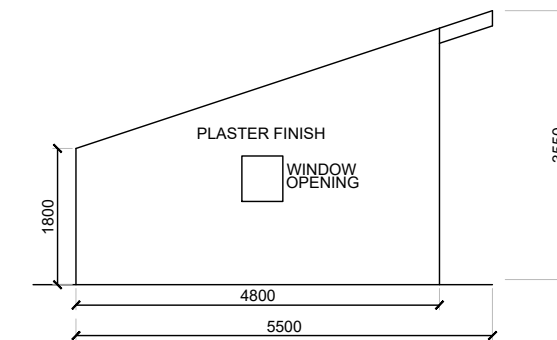
REAR ELEVATION - WEST FACING
SCALE: 1:100



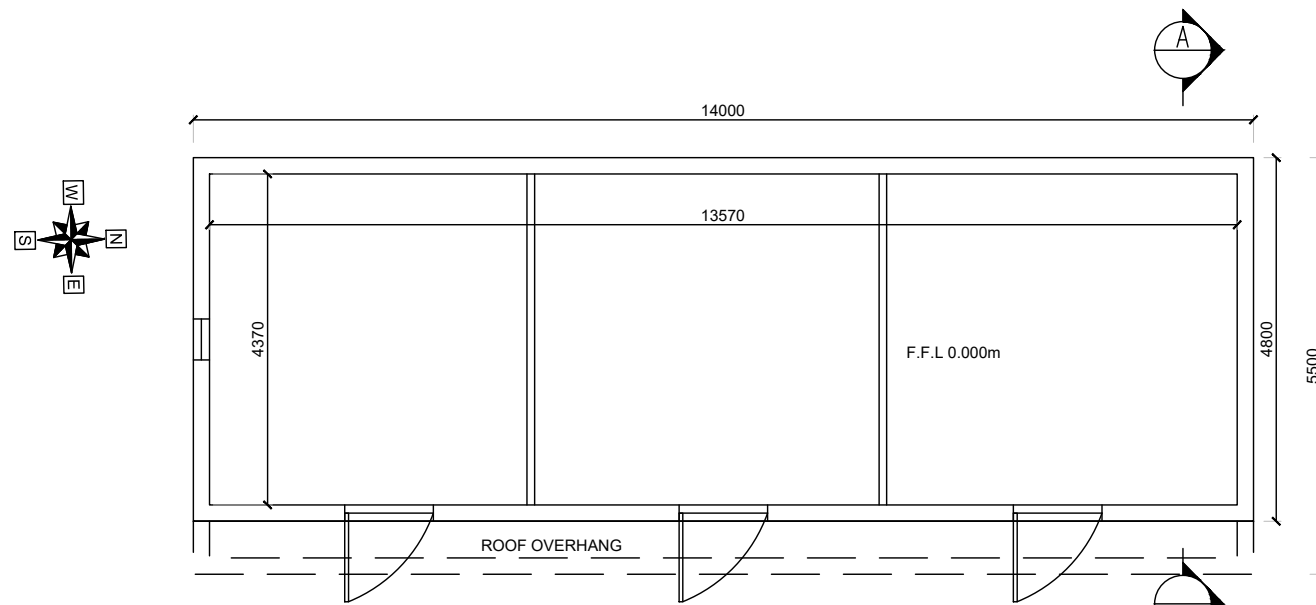
SIDE ELEVATION - NORTH FACING
SCALE: 1:100



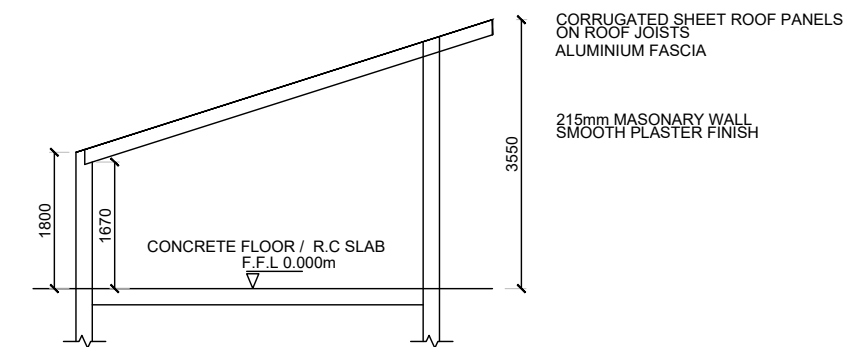
FRONT ELEVATION - EAST FACING
SCALE: 1:100



SIDE ELEVATION - SOUTH FACING
SCALE: 1:100



PLAN
SCALE 1:100

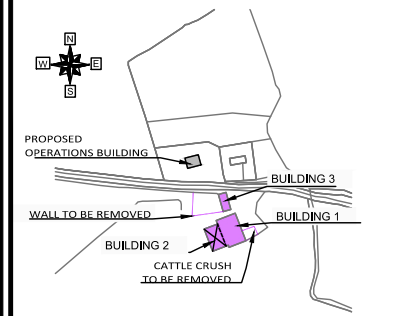


SECTION A-A
SCALE: 1:100

- NOTES:
- 1 FIGURED DIMENSIONS ONLY TO BE TAKEN FROM THIS DRAWING.
 - 2 ALL DRAWINGS TO BE CHECKED BY THE CONTRACTOR ON SITE.
 - 3 ENGINEER TO BE INFORMED OF ANY DISCREPANCIES BEFORE ANY WORK COMMENCES.
 - 4 THIS DRAWING TO BE READ IN CONJUNCTION WITH ALL OTHER RELEVANT DRAWINGS AND SPECIFICATIONS.

THIS DRAWING IS NOT TO BE USED AS A CONSTRUCTION DRAWING.

KEY



rev.	modifications	D	C	A

Client
CONSTANT ENERGY LTD

Project
TIRAWLEY WIND FARM
CO. MAYO

Stage
PLANNING

Title
EXISTING FARM BUILDING 3
PLAN, ELEVATIONS & SECTION

Scales
1:100, 1:200, @ A3

Surveyed	Prepared	Checked	Approved	Date
MG	JB	MG / DT	DK	APRIL 2026



© COPYRIGHT OF
JENNINGS O'DONOVAN AND PARTNERS LIMITED
FINISKLIN Tel (+353) 719 161 416
SLIGO Email. info@jodireland.com
IRELAND www.jodireland.com

@JOD_Sligo Jennings O'Donovan & Partners Jennings O'Donovan

Job No.	Drawing no.	Revision
6289	PL-404	0

NOTE
EXISTING FARM BUILDING
TO BE DEMOLISHED